



**Electrolux**  
PROFESSIONAL

**Modular Cooking Range Line  
thermaline 80 - 1000 mm Open  
base, 1 Side (H2) - H=450**

ITEM # \_\_\_\_\_

MODEL # \_\_\_\_\_

NAME # \_\_\_\_\_

SIS # \_\_\_\_\_

AIA # \_\_\_\_\_



588128 (MA1ACAJ000)

Open Base, one-side  
operated - H2

**Short Form Specification**

**Item No.** \_\_\_\_\_

1000 mm wide open base compartment to store pots, pans, sheet pans, etc. with hygienic design and round edges. Internal frame for heavy duty sturdiness in stainless steel. Flat surface construction, easily cleanable.

IPX5 water resistant certification.

Configuration: One-side operated freestanding base, hygienic class H2.

**Main Features**

- Open base compartment for storage of pots, pans, sheet pans, etc.
- All major components may be easily accessed from the front.
- Unit to be placed below modular top appliances to store pots, pans, sheet pans, etc.

**Construction**

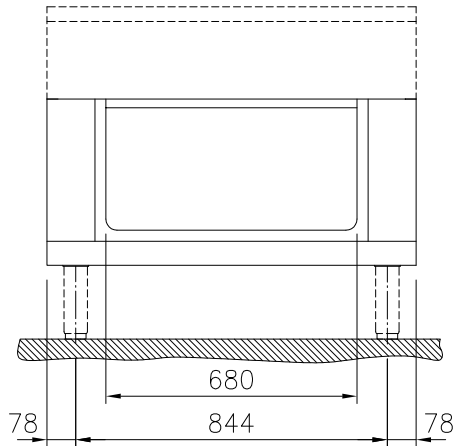
- IPX5 water resistance certification.
- Hygienic design of the open base compartment with large round edges.
- 2 mm top in 1.4301 (AISI 304).
- Flat surface construction with minimal hidden areas to easily clean all surfaces
- Internal frame for heavy duty sturdiness in stainless steel.

**APPROVAL:** \_\_\_\_\_

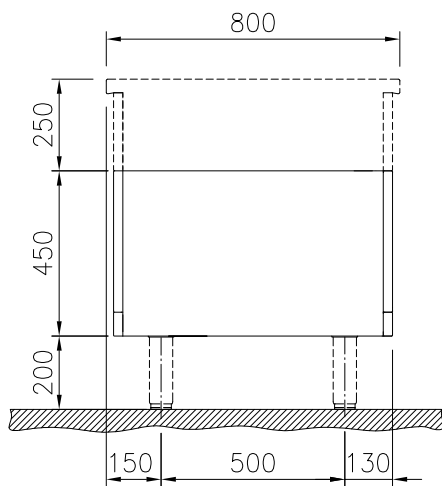


Experience the Excellence  
[www.electroluxprofessional.com](http://www.electroluxprofessional.com)

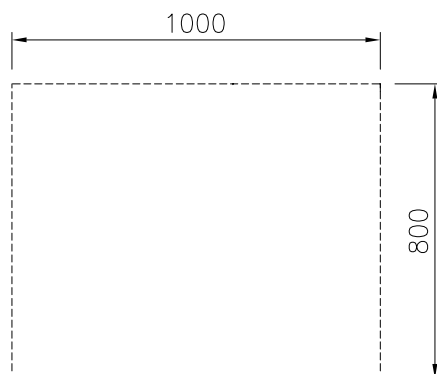
Front



Side



Top


**Key Information:**

External dimensions, Width:	
588128 (MA1ACAJ000)	1000 mm
External dimensions, Depth:	800 mm
External dimensions, Height:	450 mm
Cupboard Cavity Dimensions (width):	680 mm
Cupboard Cavity Dimensions (height):	330 mm
Cupboard Cavity Dimensions (depth):	740 mm
Net weight:	22 kg

**Optional Accessories**

- |  |            |                          |  |
|--|------------|--------------------------|--|
| • Stainless steel side panel, 800x700mm, freestanding  | PNC 912509 | <input type="checkbox"/> | • Stainless steel side panel, 800x700mm, flush-fitting (it should only be used against the wall, against a niche and in between Electrolux Professional thermaline and ProThermetic appliances and external appliances - provided that these have at least the same dimensions)<br>PNC 913684 <input type="checkbox"/> |
| • Stainless steel front kicking strip, 1000mm width  | PNC 912636 | <input type="checkbox"/> |  |
| • Stainless steel side kicking strip left and right, freestanding, 800mm width   | PNC 912655 | <input type="checkbox"/> |  |
| • Stainless steel side kicking strip left and right, against the wall, 800mm width   | PNC 912658 | <input type="checkbox"/> |  |
| • Stainless steel side kicking strip left and right, back-to-back, 1610mm width  | PNC 912661 | <input type="checkbox"/> |  |
| • Stainless steel plinth, against wall, 1000mm width   | PNC 912846 | <input type="checkbox"/> |  |
| • Stainless steel plinth, freestanding, 1000mm width   | PNC 912865 | <input type="checkbox"/> |  |
| • Stainless steel panel, 800x700mm, against wall, left side  | PNC 913093 | <input type="checkbox"/> |  |
| • Stainless steel panel, 800x700mm, against the wall, right side   | PNC 913097 | <input type="checkbox"/> |  |
| • Back panel, 1000x450mm, for bases one-side operated  | PNC 913169 | <input type="checkbox"/> |  |
| • Stainless steel side panel, left, H=700  | PNC 913214 | <input type="checkbox"/> |  |
| • Stainless steel side panel, right, H=700   | PNC 913215 | <input type="checkbox"/> |  |
| • Perforated shelf for warming cabinets and cupboard bases (one-side operated TL80-85-90 and two-side operated for TL80)                       | PNC 913235 | <input type="checkbox"/> |  |
| • Side reinforced panel only in combination with side shelf, for freestanding units  | PNC 913258 | <input type="checkbox"/> |  |
| • Side reinforced panel only in combination with side shelf, for against the wall installations, left  | PNC 913263 | <input type="checkbox"/> |  |
| • Side reinforced panel only in combination with side shelf, for against the wall installations, right   | PNC 913265 | <input type="checkbox"/> |  |
| • Side reinforced panel only in combination with side shelf, for back-to-back installations, left  | PNC 913271 | <input type="checkbox"/> |  |
| • Side reinforced panel only in combination with side shelf, for back-to-back installation, right  | PNC 913272 | <input type="checkbox"/> |  |
| • Shelf fixation for TL80-85-90 one-side operated, TL80 two-side operated  | PNC 913283 | <input type="checkbox"/> |  |
| • Stainless steel dividing panel, 800x700mm, (it should only be used between Electrolux Professional thermaline Modular 80 and thermaline C80) | PNC 913668 | <input type="checkbox"/> |  |